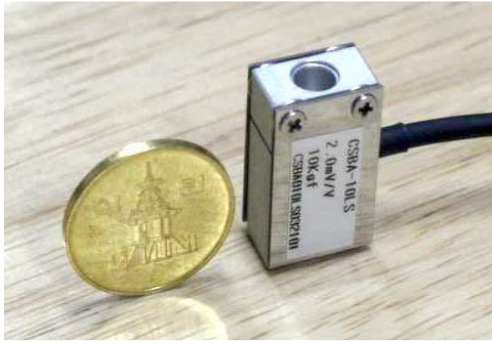


# CSBA Minuature S-beam load cell, 10~ 20kgf



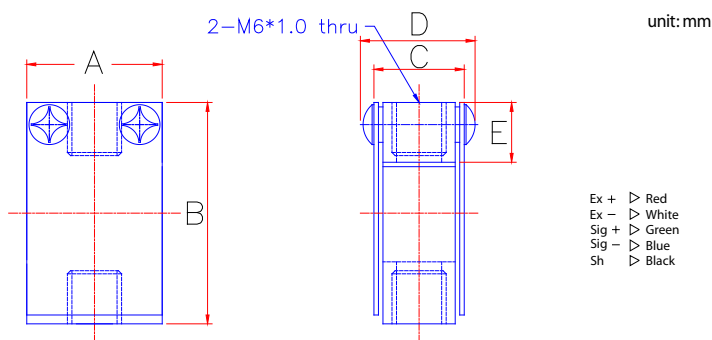
## FEA TURES

- Miniature S-Bending
- Compatible with other sources
- Protection class IP65

## SPECIFICA TIONS

Max. capacity	kgf	10, 20kgf
Rated output	mV /V	2.0 ± 0.2
Zero balance	mV /V	0 ± 0.03
Accuracy class		C3
Combined error	%	0.1
Repeatability	%	0.05
Creep for 30 min.	%	0.1
Temperature effect on		
Zero Value	%/10°C	0.014
Output value	%/10°C	0.06
Excitation		
Recommended	V	10
Maximum	V	15
Resistance		
Input	Ω	1000± 25
Output	Ω	1000± 3.5
Insulation	MΩ	> 2,000
Compensated temperature range	°C	- 10 to + 40
Operating temperature range	°C	- 30 to + 80

## DIMENSIONS



Material

Aluminium

Cable

Braided shield 4-wire round cable with Urethane-jacket

Model	Capacity	A	B	C	D	E	F
CSB A-1 0L	10 kgf	15	25	10	12.7	6.75	M6 × 1.0
CSB A-2 0L	20 kgf						